



## VBLTL-115-1A-3KD90



These 13W 3000K, White, Single Circuit LED Track Lights will provide an elegant finish to any gallery, supermarket, retail store or museum. With a 50,000 hour lifespan and a 5 year warranty, the lights provide an instant on with no flickering, and are available in either black or white.

### Features & Benefits

- Single Circuit LED Track Light
- Equipped with CITIZEN LED chips
- High strength Aluminium body
- Available in black or white trim colour
- Instant on, no flickering
- 50,000 hour lifespan
- 5 year warranty

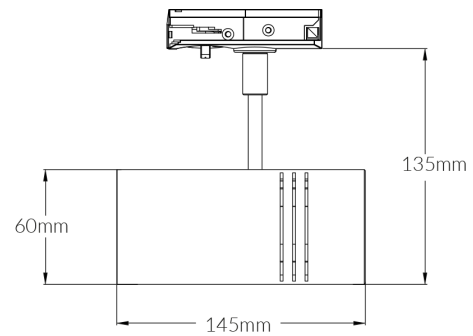


## Specifications

<b>SKU</b>	VBLTL-115-1A-3KD90
<b>Luminaire efficacy</b>	115 lm/W
<b>Track type</b>	Single Circuit
<b>EAN</b>	9340994020198
<b>Light Colour</b>	Warm White
<b>Wattage</b>	13 W
<b>Lumen output</b>	1500 lm
<b>IP rating</b>	20
<b>CRI</b>	90
<b>Beam Angle</b>	36 Degrees
<b>Trim colour</b>	Matte White
<b>Diameter</b>	60 mm
<b>Height</b>	170 mm
<b>Lifespan</b>	50000 Hours
<b>Warranty</b>	5 Years
<b>Dimmable</b>	Dimmable
<b>Mounting type</b>	Track
<b>LED source</b>	Citizen
<b>Material</b>	Aluminium Body
<b>Accessories</b>	Three Circuit Track version available upon request (MOQ and lead times apply).
<b>Lamp Type</b>	LED
<b>Dimming</b>	Triac Dimming
<b>Weatherproof</b>	Indoor Use Only
<b>Box Qty</b>	30
<b>Kelvin</b>	3000K



## Dimensional Drawings



*Photometric information available upon request.*