



## 016 Series - 2M

### VB-ALP016-R-2M

IP20

Vibe's Series of Aluminium Profiles use high quality 6063-T5 aircraft Aluminium and environmentally friendly PMMA (polymethyl methacrylate) or PC (polycarbonate) covers, providing an elegant appearance and excellent heat dissipation. Equipped with a PMMA Opal Diffuser the profile light range has a large variety of shapes and lengths to suit any lighting challenge. Extrusion only, required end caps, light strips and mounting clips sold separately under code VB-ALP-ACC & VBLST. Note: VB-ALP-016 has applicable max power: <28W/M

### Features & Benefits

- Applicable Max Power: <28W P/M.
- Surface mounted extrusions are the perfect answer when the design doesn't allow or doesn't warrant a recessed profile & in many cases you will find a recessed profile has a surface mount "twin brother" in both size & shape.
- Suspended Extrusions look great over any kitchen bench, reception desk or bar top etc and make any retail shop display look stylish and modern.
- Prolong the life of your LED strip lights by dissipating the heat generated during operation
- Perfect for seamless continuous linear lighting
- Most (not all) are supplied in 1m, 2m & 3m lengths & can also be customised upon request.
- PC/PMMA Opal Diffuser • All available as standard Anodised Aluminium colour

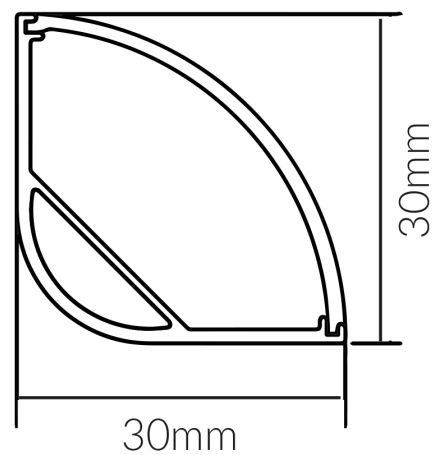
\* Some models/sizes available in Black & White  
\*\* Custom colour also available on request

## Specifications

<b>SKU</b>	VB-ALP016-R-2M
<b>EAN</b>	9340994407814
<b>IP rating</b>	20
<b>Length</b>	2000 mm
<b>Height</b>	30 mm
<b>Shatterproof</b>	Shatterproof
<b>Mounting type</b>	Corner Surface Mounted
<b>Material</b>	Aluminium
<b>Accessories</b>	2x End Caps, Metal Mounting Clip, 90 Joiner & 180 Joiner
<b>Diffuser</b>	Opal
<b>Weatherproof</b>	Non-weatherproof



## Dimensional Drawings



*Photometric information available upon request.*