

# 10W LED DOWNLIGHT

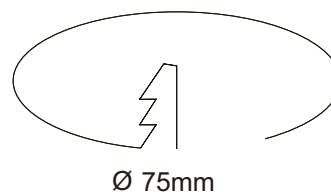
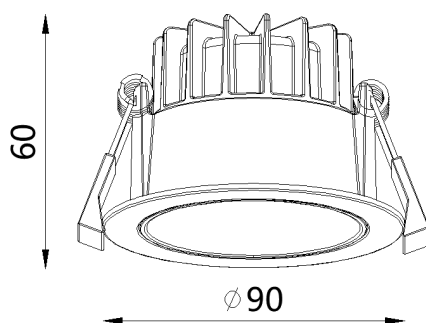
## Product Features

- Commercial grade quality and design
- Long life span with low power consumption
- Made with LM-80 certified SMD LED chips
- With built-out driver and Australian standard plug
- Matt Black Color reflector/Bright Silver Color reflector
- Tri-CCT



## Technical Specification

Model	DL 9455/WH/TC	DL 9455/BK/TC
Watts	10W	
Input Voltage	AC 220-240V 50/60Hz	
Colour Temp.	3000K&4000K&5700K	
Lumens Output	700-800lm	
CRI	Ra>80	
Beam Angle	80°	
Size	D90*60mm	
Cutout	D75mm	
IP Grade	IP 20	
Dimmable	Yes (Triac Dimming)	
Housing Colour	White	
Carton Size	550*260*530mm 50pcs/CTN	



\* The information in this datasheet may be changed by 3A Lighting at any time without prior notice.