

Last modification 2020-10-19

ALVEY SP4B-WH
9329501056691



The Alvey spotlight series creates the perfect modernist look. Available in 4 sizes and 3 colors, with the added flexibility of a replaceable GU10 light source. The rotatable spot heads create focused pools of light and the fixture is perfect for rooms with low and mid-height ceilings.

Overview

Brand	Telbix
Family name	ALVEY
Item Type	Spotlights (SP)
Mounting	Surface
Features	Rotatable 350 degree,Tiltable
Usage	Interior,Residential
By Room	Bedroom,Kitchen,Living Room,Office

All representations within this document are subject to copyright.ELECTRICAL INSTALLATIONS MUST BE PERFORMED BY A QUALIFIED ELECTRICAL CONTRACTOR AND INSTALLED IN ACCORDANCE WITH AS/NZS 3000.
NOTE : All images , descriptions and dimensions are indicative. Please check latest version of item detail on Telbix website prior to ordering or installation.

Color / Material

Fixture Color 1	White (WH)
Fixture Finish	Painted,Sand,Satin
Fixture Material	Metal
Shade Colour	White
Shade Material	Metal

Specification

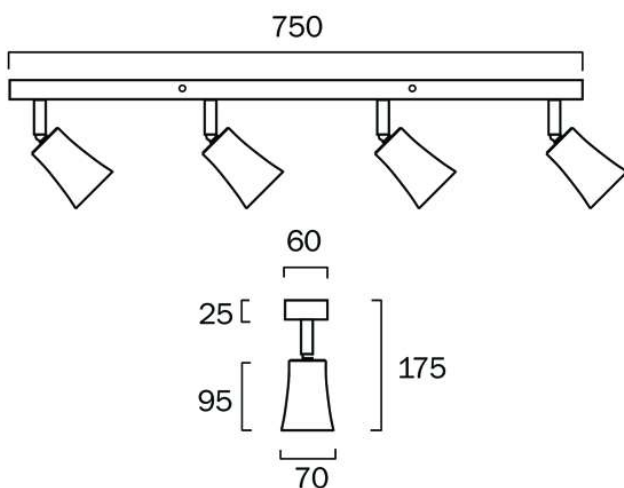
Voltage Input	240V
Wattage (max)	6
Globe Type	GU10
Globe / Light Source qty	4
Globe / Light Source included	No
Dimmable	Globe Dependant
Electrical Protection	CLASS I
IP rating	IP20
Approvals	RCM (C TICK)
Installation Required	Yes (by Licensed Electrician only)
Warranty	3

Barcode

GTIN	9329501056691
-------------	---------------

Pricing



PRICE - RRP incGST	115.0
---------------------------	-------






Also available as

Label	Thumbnail	GTIN
ALVEY SP1-WH		9329501056639
ALVEY SP2B-WH		9329501056653
ALVEY SP3B-WH		9329501056677

Color variation

Label	Thumbnail	GTIN
ALVEY SP4B-BK		9329501056684
ALVEY SP4B-GDBK		9329501057346

Globe Type Recommended

Label	Color Temperature	Thumbnail	GTIN
GL GU10LEDFW6-83	Warm White		9329501056233
GL GU10LEDFW6-84	Natural White		9329501056240
GL GU10LEDFW6-86	Daylight		9329501056257





