



Replacement  
Warranty

**20/30W230MM (9") DIMMABLE  
TRICOLOUR LED DOWNLIGHT  
TLDD34523WD**



Applications: Ideal for any residential or commercial interior space.

A 10W DIMMABLE LED RECESSED DOWNLIGHT WITH A LUMEN OUTPUT OF UP TO 750LM. BOTH ENERGY EFFICIENT AND BRIGHT, IT IS COST EFFECTIVE SOLUTION WITH OUTSTANDING PERFORMANCE.

- Ideal for new or retro-fit installations with a 170-210mm hole cut-out
- Matt white housing with frost white diffuser
- Wide 100° beam angle
- IP44 rated
- IC-4 and IC-F rated - can be safely covered and abutted to building insulation
- SAA approved with integrated LED driver



Tricolour



Switchable  
Power Wattage



Cutout Size



Dimmable



Beam Angle



IP  
Rating



LED Lifetime

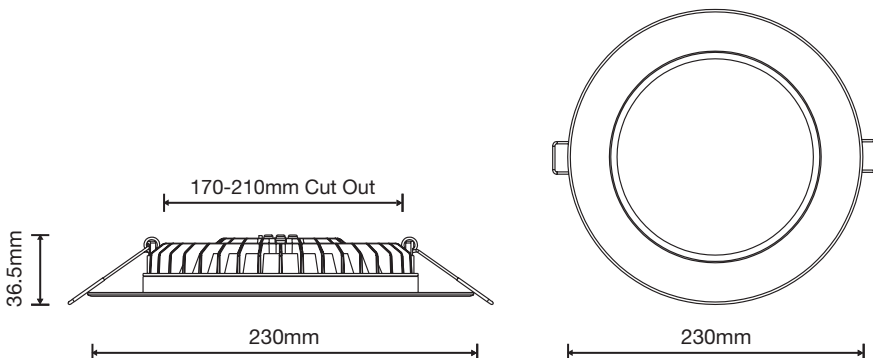


IC-Rated



IC-Rated

**DIMENSIONS**



## 20/30W230MM (9") DIMMABLE TRICOLOUR LED DOWNLIGHT

### FEATURES

- 2 Year Replacement Warranty
- A dimmable low glare Tricolour, dual wattage 230mm (9") LED downlight
- Kit Includes Dual wattage 20/30W switchable Tricolour LED downlight with 125mA dimmable LED driver with 600mm flex and plug
- The dimmable LED driver is fully compatible with Martec trailing edge dimmers MTD350VAR and MTD350VAP
- Advanced heat sink diffusion
- High quality die cast aluminium construction
- IC-F or IC-4 abutted rated



### SPECIFICATIONS

<b>Model name</b>	Discus
<b>Model number</b>	TLDD34523WD
<b>Power wattage</b>	Dual switchable wattage
<b>Input voltage</b>	220-240V~50Hz
<b>Housing</b>	Diecast aluminium heat sink and fascia trim
<b>Lens material</b>	Polycarbonate
<b>LED type</b>	SMD
<b>CRI</b>	≥80
<b>Beam angle</b>	100°
<b>Tricolour</b>	3000K, 4000K, 5000K
<b>Lumens</b>	20W: 2250lm, 2550lm, 2550lm 30W: 3000lm, 3400lm, 3350lm
<b>Product size</b>	Dia 110mm x H36.5mm
<b>Flex and plug</b>	Yes
<b>Operating temperature</b>	TA: 25°C
<b>Class</b>	Class 2
<b>Rated lifetime</b>	50,000hrs @25°C ambient (when covered with thermal insulation)

### INSTALLATION

<b>Installation</b>	By licensed electrician only
<b>Warranty</b>	2 year replacement warranty

\*For further information regarding warranty terms and conditions, please refer to enclosed warranty statement. Warranty is void unless installed by a licensed electrician.



### SHIPPING

<b>Packaging size</b>	L480mm x W290mm x H265mm
<b>Carton quantity</b>	10 pcs
<b>Gross weight</b>	9.10kg

### AVAILABLE COLOURS



 Matt White

Model	Colour	Barcode
 TLDD34523WD	Matt White	 9 312375 506218