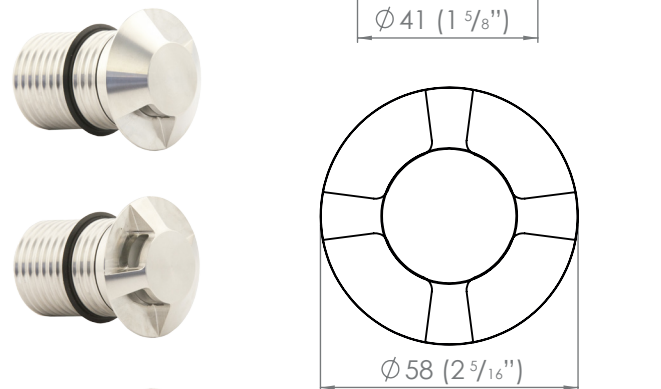
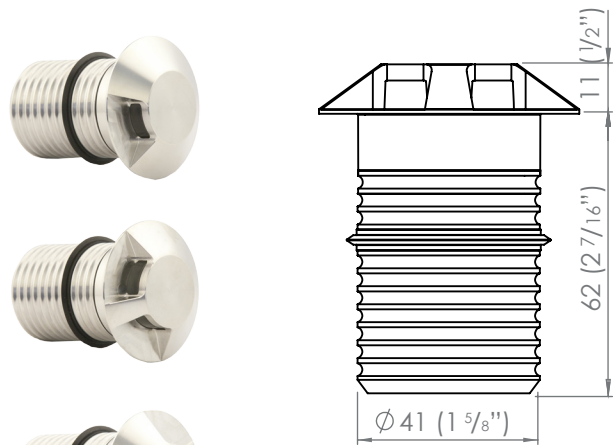
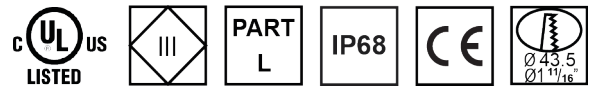


M4 PATHLIGHT CONFIGURATION

M4	Power 4 Watt	Flange PL1 pathlight 90 degree PL2 pathlight opposite facets PL2180 pathlight 180 degree PL3 pathlight 270 degree PL4 pathlight 360 degree	Driver remote integral	Material copper s/steel	Colour 2700K 3000K 4000K 5000K	Accessories PCAN pvc canister ACAN aluminium canister SCAN security canister DCAN deck canister AFMC aluminium floor mount canister
M4		R I	C S	27 30 40 50	PCAN ACAN SCAN DCAN AFMC	

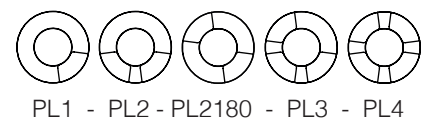
SPECIFICATIONS

Power	4 Watt
Ingress Protection Rating	IP68
Cable	H05RN-F 1m Included
Material	- Black/ White/Bronze Powdercoated - Natural Copper - 316 Stainless Steel
Removable Light Engine	Pin Mounted 4W Cree XHP50 Chip
Colour Temperature	Warm White - 2700K and 3000K Neutral White - 4000k Cool White - 5000k
CRI	90+ CRI
Efficiency	90lm/w - Delivered from Luminaire with unobstructed beam
Input	700mA Constant current (Remote) 12V AC (Integral)
Warranty	Electronics Warranty 5 Years
Body Warranty	10 years Copper and Stainless Steel
Load Rating	Stainless Steel 4000kg/8800lbs Copper 3500kg/7700lbs
LED Shield	LED Bypass Shunt LED Reverse Polarity Protection

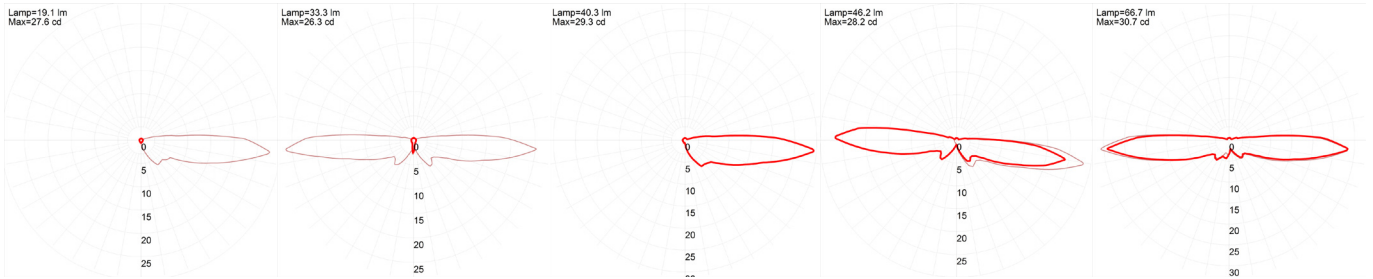


ACCESSORIES

Recessed mounting canisters
(Please refer to the canister spec sheets for more information)



BEAM ANGLES



Pathlight
PL1 (1 Facet)

Pathlight
PL2 (2 Opposite Facets)

Pathlight
PL2180 (2 Facet)

Pathlight
PL3 (3 Facet)

Pathlight
PL4 (4 Facet)

RECOMMENDATIONS

Using the recessed mounting canisters will make recessed installation of this product simple. Core a hole in an existing wall or cast the canister in. Once in place, simply push the fitting into the canister. The luminaire will be retained by a silicon wiper seal.

REPLACING COMPONENTS

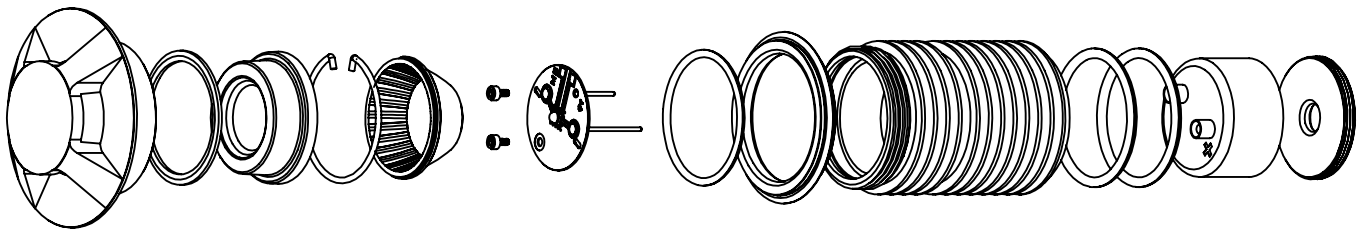
Firstly remove the luminaire from its recessed location. Unscrew the flange paying close attention to the assembly order or refer to the diagram below. Locate the item that needs to be replaced, it is imperative you replace the component with factory LuxR parts to ensure correct operation of the luminaire. When reassembling make sure all the components are in their correct order to ensure water tightness and correct light output.

M4 PATHLIGHTS

The M4 luminaire range is powered by a 4 watt LuxR light engine that offers a wide choice of LED colours. The luminaire was developed to meet the challenge of delivering high quality practical accent lighting with maximum energy efficiency and a long, maintenance-free life.

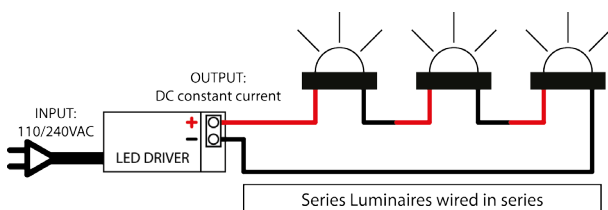
All LuxR luminaires offer a replaceable LED system using Cree LED chips for maximum performance and long life. Precise LED binning by Cree ensure the same colour temperature across all our luminaires which allows LuxR products to be situated close to one another without the fear of colour variance in the colours.

This luminaire is extremely tough, durable and waterproof, making it ideal for installation in public spaces, large-scale projects and residential areas.



REMOTE DRIVER WIRED IN SERIES

Often referred to as series wiring the current in a series circuit follows one path from start-to-finish with the positive of the second LED connected to the negative of the first. Series wiring allows a single driver to be mounted remotely, powering a number of series fittings. Often the most simplest of wiring schemes as each fitting is connected to the next in a daisy chain. It removes the need for a smaller 12 volt driver in each fitting.



INTEGRAL DRIVER + TRANSFORMER

In a parallel circuit all the positive connections are tied together and back to the positive output of the LED driver and all the negative connections are tied together and back to the negative output of the driver. The integral driver option allows LuxR fittings to be wired in parallel to existing or new installations where a wire wound or magnetic transformer is being used.

