



Compatible with
Tri-Colour 9in1
3w, 5w, 7w
12v or 24v LED Globe

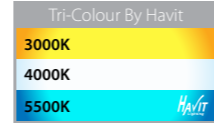
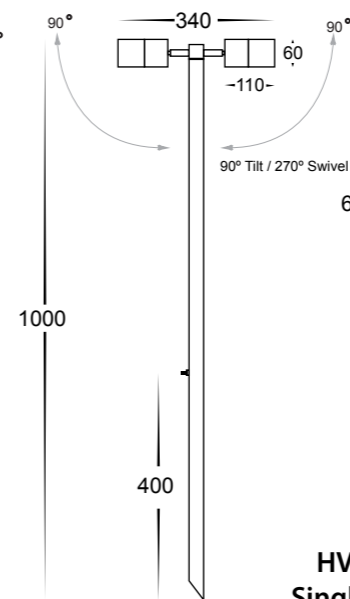
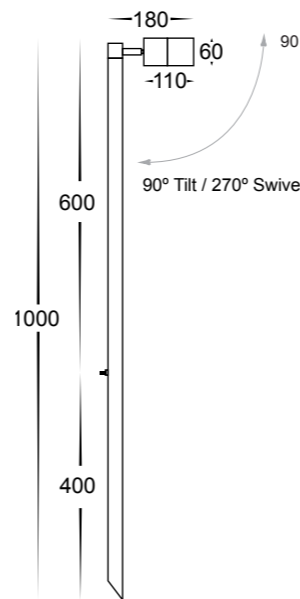
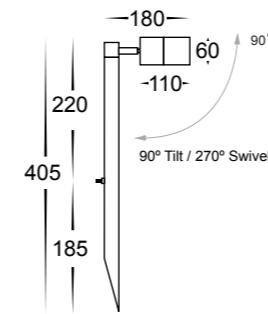
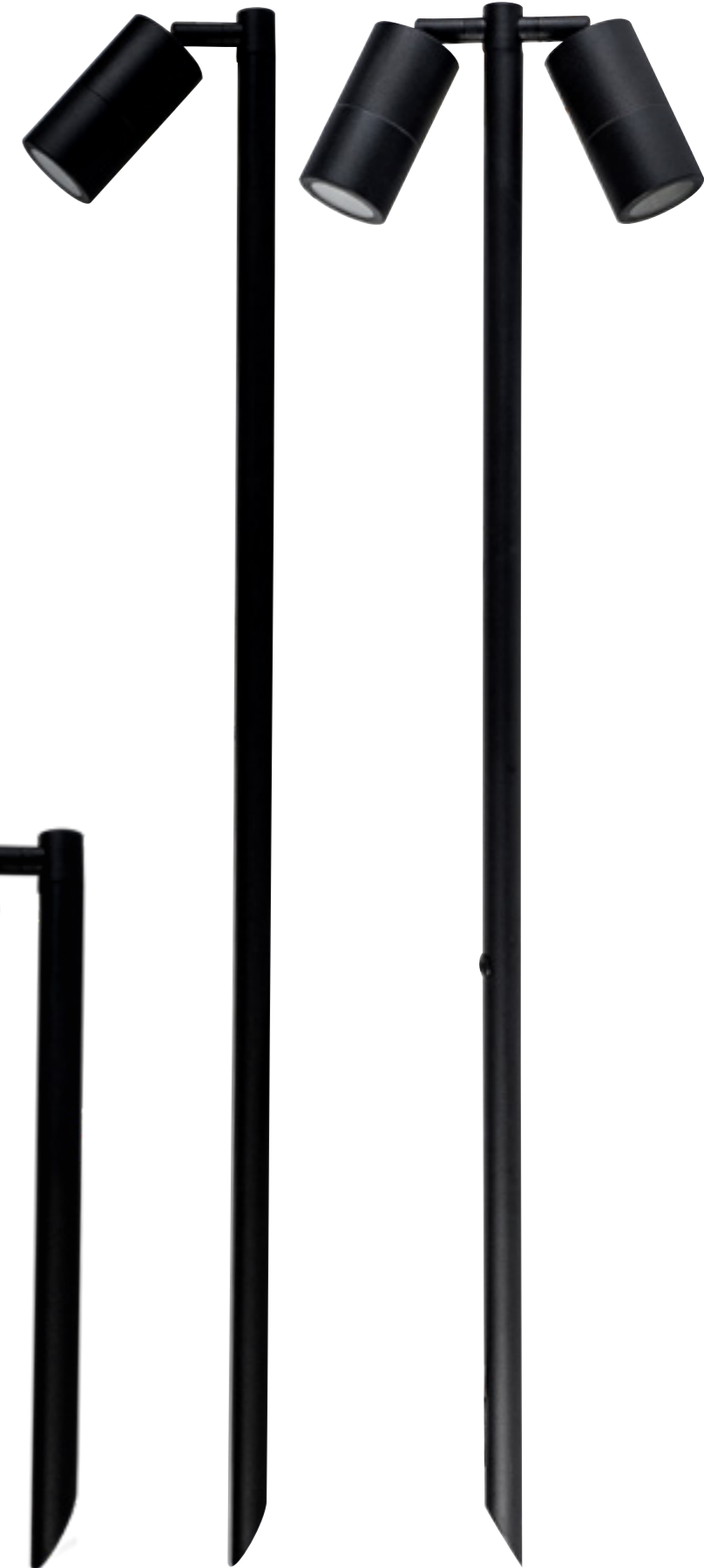


IMAGE	PART NUMBER	COLOUR TEMP	LUMENS	INPUT	INCLUDED LED
	HV1423T	3000K 4000K 5500K	270lm 285lm 300lm	12v DC	Tri-Colour 5w MR16 LED
IMAGE	PART NUMBER	COLOUR TEMP	LUMENS	INPUT	INCLUDED LED
	HV1425T	3000K 4000K 5500K	2x 270lm 2x 285lm 2x 300lm	12v DC	Tri-Colour 2x 5w MR16 LED
IMAGE	PART NUMBER	COLOUR TEMP	LUMENS	INPUT	INCLUDED LED
	HV1407T-BLK	3000K 4000K 5500K	270lm 285lm 300lm	12v DC	Tri-Colour 5w MR16 LED

Tivah Aluminium Black

- Adjustable spike spotlight
- Aluminium Poly Powder Coated Black
- Internal cable
- 405mm & 1000mm spike length
- 2m reinforced cable
- IP Rating: IP65



HV1407T-BLK
Single Adjustable

HV1423T
Single Adjustable

HV1425T
Double Adjustable

All low voltage products that specify an input of 12v or 24v DC must be used with a suitable LED driver, refer to pages 267 - 274
Lumen output measured at source. All globes supplied with fittings are non dimmable. If you require 240v dimmable globes refer to page 336

All low voltage products that specify an input of 12v or 24v DC must be used with a suitable LED driver, refer to pages 267 - 274
Lumen output measured at source. All globes supplied with fittings are non dimmable. If you require 240v dimmable globes refer to page 336