



Compatible with  
Tri-Colour 9in1  
3w, 5w, 7w  
12v or 24v LED Globe

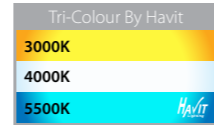
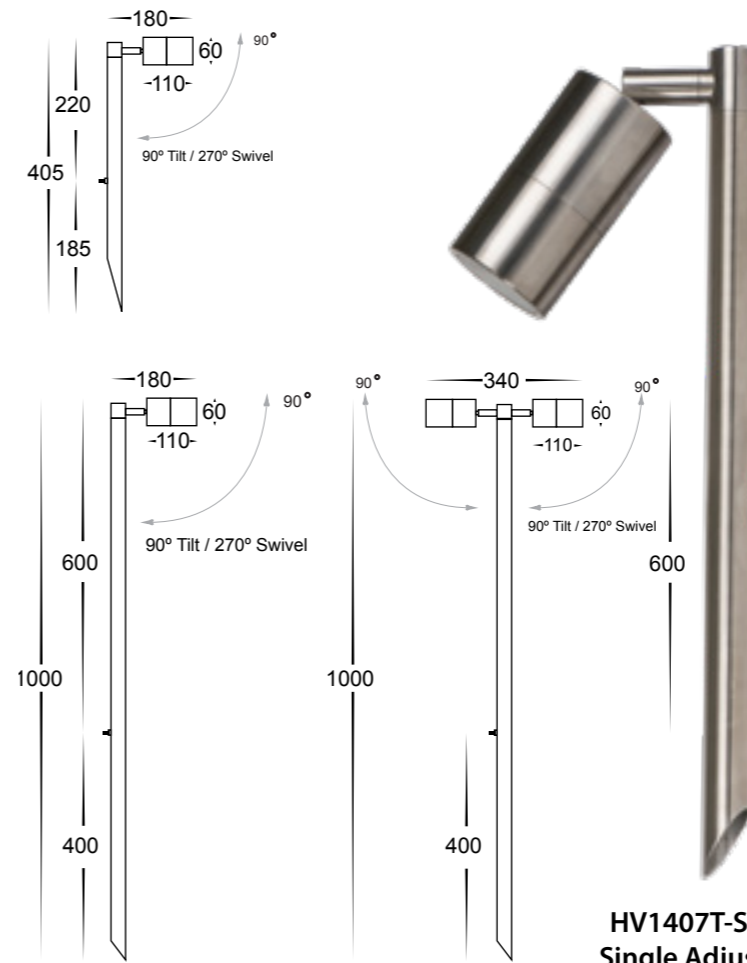


IMAGE	PART NUMBER	COLOUR TEMP	LUMENS	INPUT	INCLUDED LED
	<b>HV1403T-SS316</b>	3000K 4000K 5500K	270lm 285lm 300lm	12v DC	<b>Tri-Colour</b> 5w MR16 LED
IMAGE	PART NUMBER	COLOUR TEMP	LUMENS	INPUT	INCLUDED LED
	<b>HV1405T-SS316</b>	3000K 4000K 5500K	2x 270lm 2x 285lm 2x 300lm	12v DC	<b>Tri-Colour</b> 2x 5w MR16 LED
IMAGE	PART NUMBER	COLOUR TEMP	LUMENS	INPUT	INCLUDED LED
	<b>HV1407T-SS316</b>	3000K 4000K 5500K	270lm 285lm 300lm	12v DC	<b>Tri-Colour</b> 5w MR16 LED

## Tivah 316 Stainless Steel

- Adjustable spike spotlight
- Stainless Steel 316 Marine Grade
- Internal cable
- 405mm & 1000mm spike length
- 2m reinforced cable
- IP Rating: IP65



**HV1407T-SS316**  
Single Adjustable

**HV1403T-SS316**  
Single Adjustable

**HV1405T-SS316**  
Double Adjustable

All low voltage products that specify an input of 12v or 24v DC must be used with a suitable LED driver, refer to pages 267 - 274  
Lumen output measured at source. All globes supplied with fittings are non dimmable. If you require 240v dimmable globes refer to page 336

All low voltage products that specify an input of 12v or 24v DC must be used with a suitable LED driver, refer to pages 267 - 274  
Lumen output measured at source. All globes supplied with fittings are non dimmable. If you require 240v dimmable globes refer to page 336