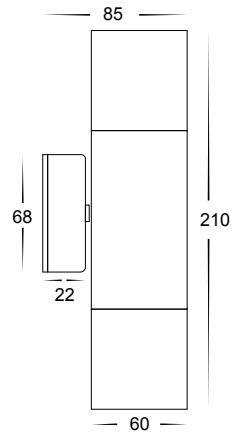
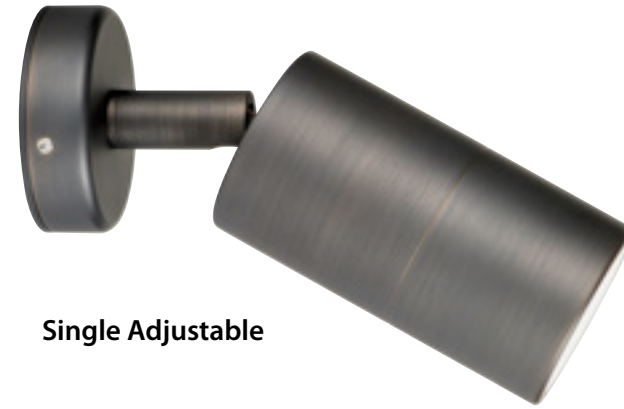
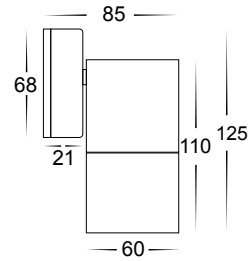




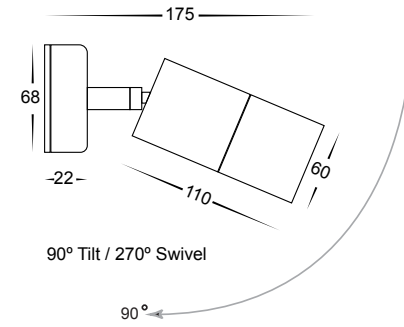
Up & Down



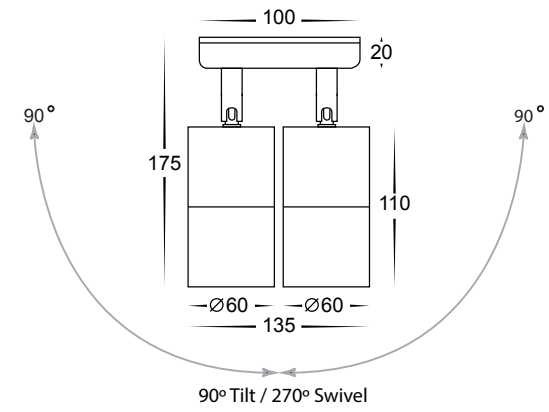
Fixed Down



Single Adjustable



Double Adjustable



Tivah Antique Brass

- Solid Brass With Antique Brass Finish
- Includes a matching brass backing plate
- High output reflector to maximise light
- IP Rating: IP65

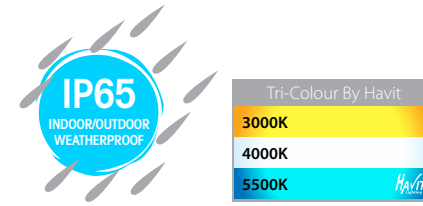
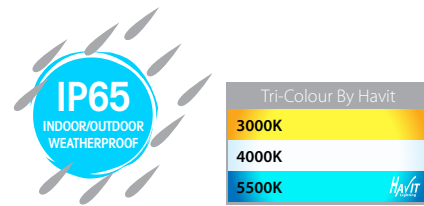


IMAGE	PART NUMBER	COLOUR TEMP	LUMENS	INPUT	INCLUDED LED
	HV1095T	3000K 4000K 5500K	2x 240-560lm 2x 255-595lm 2x 270-630lm	240v	9 in 1 Tri-Colour 2x 3/5/7w GU10 LED
	HV1097GU10T	3000K 4000K 5500K	2x 270lm 2x 285lm 2x 300lm	240v	Tri-Colour 2x 5w GU10 LED
	HV1097MR16T	3000K 4000K 5500K	2x 270lm 2x 285lm 2x 300lm	12v DC	Tri-Colour 2x 5w MR16 LED
IMAGE	PART NUMBER	COLOUR TEMP	LUMENS	INPUT	INCLUDED LED
	HV1195T	3000K 4000K 5500K	240-560lm 255-595lm 270-630lm	240v	9 in 1 Tri-Colour 3/5/7w GU10 LED
	HV1197GU10T	3000K 4000K 5500K	270lm 285lm 300lm	240v	Tri-Colour 5w GU10 LED
	HV1197MR16T	3000K 4000K 5500K	270lm 285lm 300lm	12v DC	Tri-Colour 5w MR16 LED

IMAGE	PART NUMBER	COLOUR TEMP	LUMENS	INPUT	INCLUDED LED
	HV1295T	3000K 4000K 5500K	240-560lm 255-595lm 270-630lm	240v	9 in 1 Tri-Colour 3/5/7w GU10 LED
	HV1297GU10T	3000K 4000K 5500K	270lm 285lm 300lm	240v	Tri-Colour 5w GU10 LED
	HV1297MR16T	3000K 4000K 5500K	270lm 285lm 300lm	12v DC	Tri-Colour 5w MR16 LED
IMAGE	PART NUMBER	COLOUR TEMP	LUMENS	INPUT	INCLUDED LED
	HV1395T	3000K 4000K 5500K	2x 240-560lm 2x 255-595lm 2x 270-630lm	240v	9 in 1 Tri-Colour 2x 3/5/7w GU10 LED
	HV1397GU10T	3000K 4000K 5500K	2x 270lm 2x 285lm 2x 300lm	240v	Tri-Colour 2x 5w GU10 LED
	HV1397MR16T	3000K 4000K 5500K	2x 270lm 2x 285lm 2x 300lm	12v DC	Tri-Colour 2x 5w MR16 LED

All low voltage products that specify an input of 12v or 24v DC must be used with a suitable LED driver, refer to pages 267 - 274
Lumen output measured at source. All globes supplied with fittings are non dimmable. If you require 240v dimmable globes refer to page 336

All low voltage products that specify an input of 12v or 24v DC must be used with a suitable LED driver, refer to pages 267 - 274
Lumen output measured at source. All globes supplied with fittings are non dimmable. If you require 240v dimmable globes refer to page 336