

9W TRIAC OR DALI DIMMABLE LED DOWNLIGHTS



PRODUCT DETAILS

| | |
|-----------------|---|
| MATERIAL | ALUMINIUM + PC |
| COLOUR / FINISH | TEXTURED MATT BLACK OR WHITE |
| COLOUR TEMP. | 2700K 3000K 4000K 5000K 5700K |
| INPUT VOLTAGE | 240V AC (REMOTE DRIVER WITH FLEX AND PLUG) |
| LAMP BASE | 9W BUILT IN LED |
| DIMMING | TRIAC OR DALI |
| CRI: | 90+ |
| BEAM ANGLE | 60° |
| TILT | 20° |
| CUT OUT | 92MM |
| IC-4 RATING | YES |
| IP RATING | IP44 |
| WARRANTY | 5 YEARS REPLACEMENT |

ALUMINIUM BLACK

HCP-81220809
(Triac Dimmable)

| | |
|-------|-------|
| 2700K | 647LM |
| 3000K | 653LM |
| 4000K | 734LM |

HCP-81240809
(Dali Dimmable)

| | |
|-------|-------|
| 5000K | 750LM |
| 5700K | 769LM |

ALUMINIUM WHITE

HCP-81320809
(Triac Dimmable)

| | |
|-------|-------|
| 2700K | 647LM |
| 3000K | 653LM |
| 4000K | 734LM |

HCP-81340809
(Dali Dimmable)

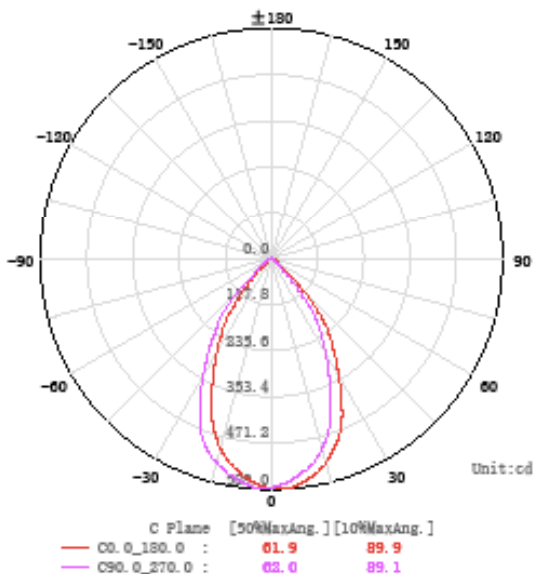
| | |
|-------|-------|
| 5000K | 750LM |
| 5700K | 769LM |

OPTIONAL REFLECTORS



| | |
|----------|-----|
| 80090-15 | 15° |
| 80090-28 | 28° |
| 80090-40 | 40° |

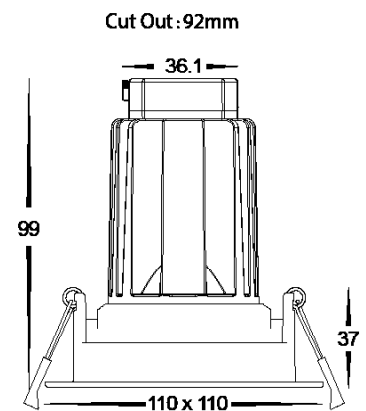
PHOTOMETRICS



OTHER IMAGES



DIMENSIONS



ADDRESS: 8/133 Beauchamp Road, Matraville, N.S.W., 2036

Web: www.havitcommercial.com.au
 Email: sales@havitcommercial.com.au
 Phone: 02 9381 8383