

CELL-9-DT90

LED Downlight



Description

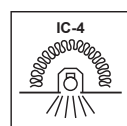
The CELL 9 DT90 KIT are a plug and play LED lamp module and LED driver set. They are the perfect solution for residential homes to commercial projects such as hotels, clubs, pubs and bars. Designed not only as a replacement for traditional halogen lamps in most applications, but also as a replaceable LED lamp and driver set for a range of click in frames, as a complete downlight solution. For retrofit, it's as easy as removing the standard MR16 halogen lamp and transformer and replacing it with the CELL lamp and LED driver. It suits most MR16 downlight frames, depending on height.

As a complete lamp and frame solution, simply choose from a range of click in frames on offer to suit the style and décor. Featuring a reflector style lens with a choice of 15°, 24°, 36° or 60° beam angle effects to suit ceiling heights or lighting effects. Available as a 9W 5CCT, with the added option of changing the colour temperature output of the LED lamp module with a dip switch on the LED Driver. Complete with dimmable LED driver and flex and plug. Backed by our Three Year Replacement Warranty.

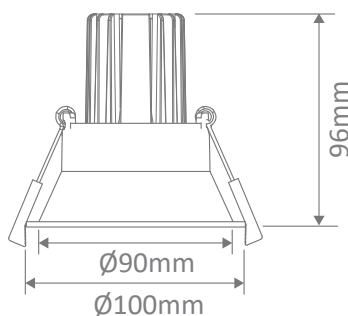
Specification Features

Input Voltage:	200-240V 50-60HZ
Power (W):	9
IP rating (IP):	IP44*
LED type:	COB
CCT:	2700K - 3000K - 4000K - 5000K - 5700K (Switchable)
CRI:	≥80
Beam angle (°):	60°
Dimmable:	Yes
Lifespan (hrs):	50,000hrs

* IP44 rating is from the underside of the down light once installed into the ceiling.



Diagrams / Additional



Cutout: Ø90-92mm

Item No.	Variant		CCT - Lumen Output				
	Wht	Blk	2700K	3000K	4000K	5000K	5700K
CELL-9-5CCT-DT90	21674	21675	649lm	660lm	717lm	755lm	772lm