

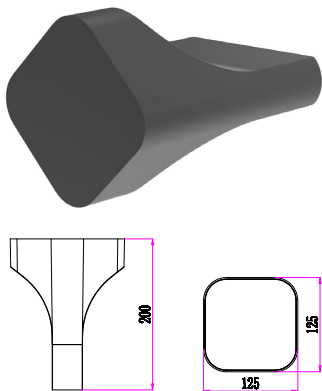
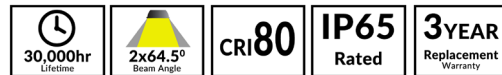
SHU SERIES

Exterior LED Wall Light & Bollard Lights

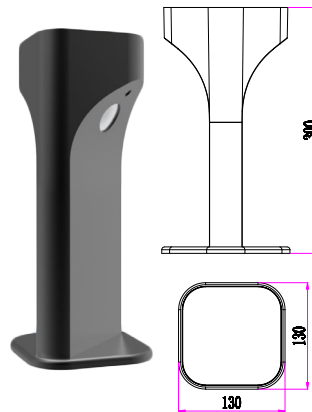


Product Features:

- Input voltage: 100-240V AC 50/60Hz
- Inbuilt driver output: 18-42V
- Driver input current: 0.053A
- Driver output current: 300mA
- Inrush current: 1.2A
- Housing: powder coated aluminium
- Mounting bracket: aluminium
- LED chip: 2pcs 5050
- Power factor: >0.5
- Ambient Temp: -20 to 50°C
- Suitable for 2-way switching
- Suitable for use with PIR or Microwave sensors

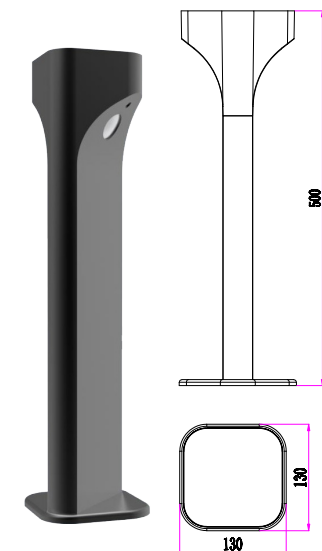


Part No.	SHU1
Type	Surface Mounted Wall Light 2 way
Colour	Powder coated dark grey
Kelvin	3000K
Lumens	540lm
Watt	11W
Weight	1.2kg
Box	21x14x14cm
Carton QTY	1/8



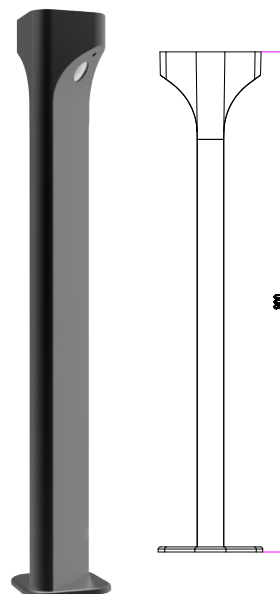
Part No.	SHU2
Type	Surface Mounted Bollard Light 2way
Colour	Powder coated dark grey
Kelvin	3000K
Lumens	540lm
Watt	11W
Weight	1.55kg
Box	32x14x14cm
Carton QTY	1/8

Not for use inground



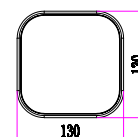
Part No.	SHU3
Type	Surface Mounted Bollard Light 2 way
Colour	Powder coated dark grey
Kelvin	3000K
Lumens	540lm
Watt	11W
Weight	2.05kg
Box	52x14x14cm
Carton QTY	1/4

Not for use inground



Part No.	SHU4
Type	Surface Mounted Bollard Light 2 way
Colour	Powder coated dark grey
Kelvin	3000K
Lumens	540lm
Watt	11W
Weight	2.85kg
Box	81x14x14cm
Carton QTY	1/4

Not for use inground



UPDATED ON 06.09.2018