



GU10 DOUBLE ADJUSTABLE SPOT LIGHT

- Input voltage: 240V
- GU10 base
- Max Wattage per globe: 35W
- Solid copper, 316 stainless steel or aluminium
- Globes not included
- Recommended globes: GU1001 & GU1002



PG2ABL



PG2ASS



PG2AT



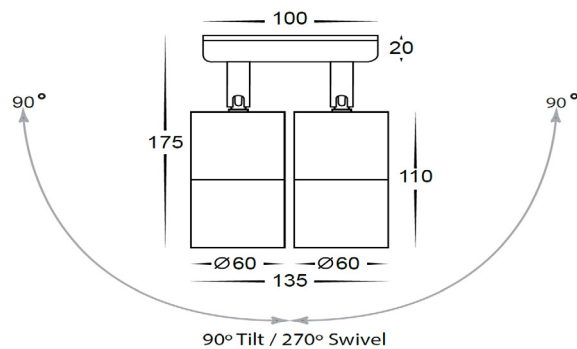
PG2ASIL



PG2AWH

IP
65

2 YEARS
WARRANTY



CODE	DESCRIPTION	TECHNICAL DATA		
		COLOUR	LAMP QTY	CARTON QTY
PG2ABL	ALUMINIUM DOUBLE ADJUSTABLE SPOT	BLACK POWDER COATED	2 X GU10	1/10
PG2ASIL	ALUMINIUM DOUBLE ADJUSTABLE SPOT	SILVER POWDER COATED	2 X GU10	1/10
PG2ASS	SS316 DOUBLE ADJUSTABLE SPOT	STAINLESS STEEL	2 X GU10	1/10
PG2AT	ALUMINIUM DOUBLE ADJUSTABLE SPOT	TITANIUM	2 X GU10	1/10
PG2AWH	ALUMINIUM DOUBLE ADJUSTABLE SPOT	WHITE POWDER COATED	2 X GU10	1/10
CODE	DESCRIPTION	LUMENS	WATT	CRI
GU1001	6W GU10 LED 3000K	470LM	6W	≥80
GU1002	6W GU10 LED 3000K	485LM	6W	≥80