

atom<sup>i</sup>

# LED FLOODLIGHTS

80W, 150W and 200W High efficiency commercial LED Floodlight

AT9812



## Features

- Ideal for sport venues, carparks and outdoor applications
- Corrosion resistant
- Optical lens and 5mm tempered glass



**Colour temperature**  
Daylight



**IP Rating**  
IP65



**IK Rating**  
IK08



**Warranty**  
5 year warranty

## Product datasheet

### Description

80W, 150W and 200W High efficiency commercial LED Floodlight.

### Finish

 Black (BLK)

### Product specification

<b>Voltage</b>	100-240V~ 50/60Hz		
<b>Power consumption</b>	80W	150W	200W
<b>Lumen output</b>	9970lm	19120lm	23930lm
<b>Light colour options</b>	Daylight		
<b>Colour temperature</b>	5000K		
<b>Colour rendering index</b>	>70		
<b>Dimmable</b>	No		
<b>Warranty</b>	5 years		
<b>Working temperature</b>	-30°C – 45°C		
<b>IP Rating</b>	IP65		
<b>IK Rating</b>	IK08		
<b>Electrical classification</b>	Class I		

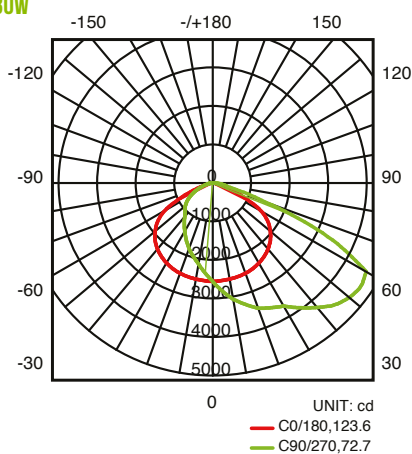
### Product range

Code	Wattage
AT9812/80/BLK	80W
AT9812/150/BLK	150W
AT9812/200/BLK	200W

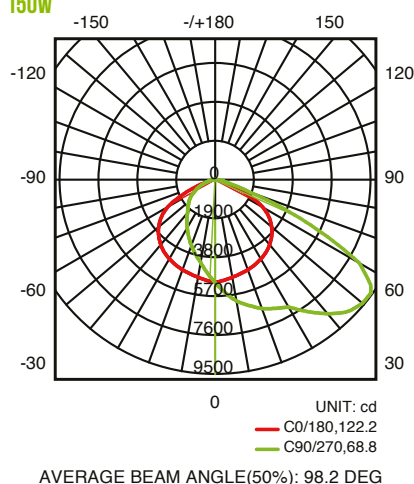
### Photometrics

#### Polar diametric diagram

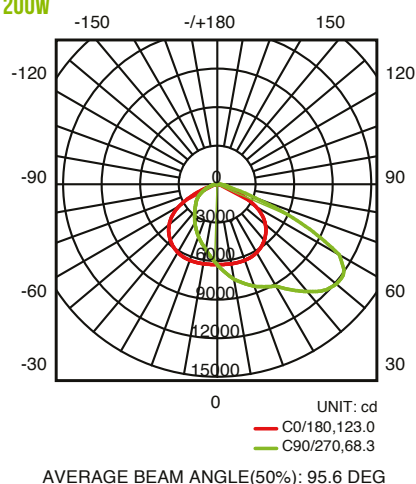
80W



150W



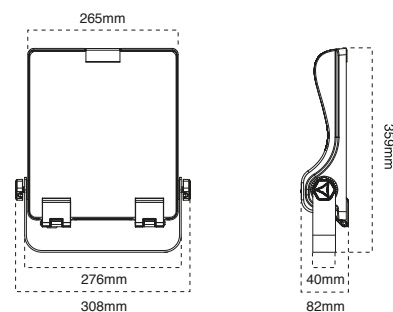
200W



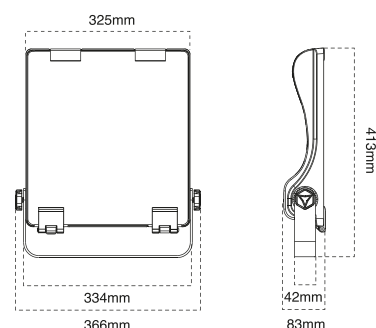
### Dimensions

Wattage	Width	Height	Depth
80W	308mm	359mm	82mm
150W	366mm	413mm	83mm
200W	462mm	452mm	87mm

80W



150W



200W

