

atomⁱ

LED SPOTLIGHT

24W IP44 LED Twin spotlight w sensor

AT9133

QUICK CONNECT 



Features

- Ideal for residential, retail and showroom lighting applications
- Integrated LED
- Easy installation



Colour temperature

Daylight



Finish

Black, silver and white



IP Rating

IP44



Warranty

3 Year warranty

Product datasheet

Description

24W IP44 LED Twin spotlight w sensor.

Finish



Product specification

Voltage	230V~ 50Hz
Power consumption	24W
Light colour options	Daylight (DL)
Lumen output	2 x 1000lm
Colour temperature	5000K
Beam Angle	115°
Dimmable	No
Warranty	3 years
Colour rendering index	> 80
Working temperature	-5°C - 40°C
IP Rating	IP44
Electrical classification	Class I

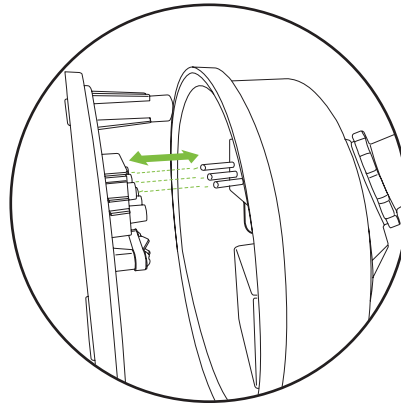
Product range

Code	Finish	Colour temperature
AT9133/BLK	Black	Daylight
AT9133/SIL	Silver	Daylight
AT9133/WH	White	Daylight

Dimensions

Width	Height	Depth
224mm	187.3mm	189.7mm

Quick connect detail



Contacts locate into 3-way terminal block for speedy connection.

