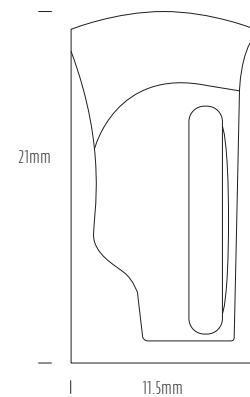
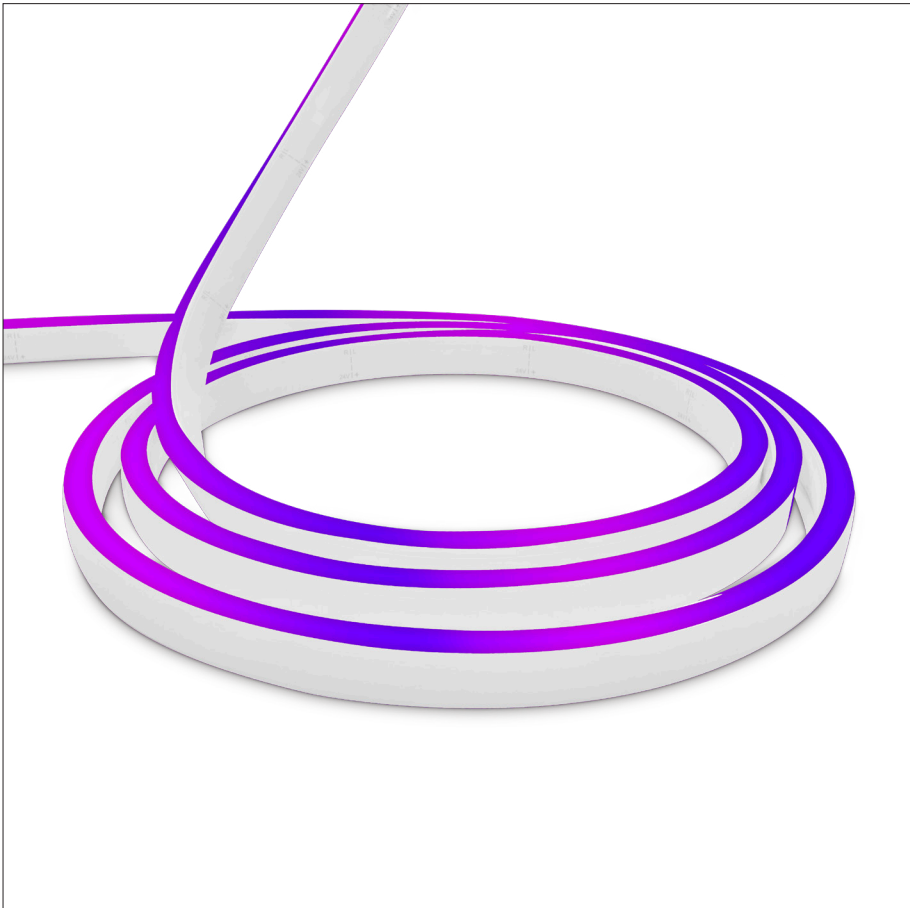


# Neon Flex

-   
IP68  
INGRESS PROTECTION
-   
3y  
YEARS WARRANTY
-   
SALTWATER RESISTANT
-   
SOLVENT RESISTANT
-   
ULTRA VIOLET PROTECTION
-   
3s  
STEP MACADAM
-   
HORIZONTAL BENDING
-   
LM80  
LUMEN MAINTENANCE
-   
24V DC  
OBSERVE POLARITY



Product	AQS-500-DMX
Voltage	24V DC
Watts (per Meter)	18W
IP Rating	IP68
Lumen Output (per Meter)	TBA
CCT & Colour Options	2700K / R / G / B
Working Mode	Direct DMX UCS512EH
Max Length (Single Power Feed)	8m
Max Length (Double Power Feed)	16m
Cut Interval	100mm
Bend Direction	Horizontally
Minimum Bend Diameter	80mm
LED Type	SMD5050
LED Qty / M	70pcs
Lumen Maintenance	70,000 Hours L70@ 25°C, 50,000 Hours L70@ 50°C
Materials	Eco PVC
Emission Angle	120°
Operating Temperature	-20° to +40°C
Installation Temperature	5° to +35°C
Warranty	3 Year Aqualux Warranty

### Production Tolerances

The AQS-500 series Neon Flex product is manufactured in a continuous extrusion process and then manually terminated with IP68 overmolded cable entry points. Production tolerances need to be accounted for during site preparation.

- < 1M ±5mm
- < 5M Length ±10mm
- < 10M Length ±15mm
- < 20M ± 20mm

Refer to installation guide when planning your project.

For wiring diagrams please refer to the **aqualux website**: [www.aqualux.com.au](http://www.aqualux.com.au) / Support / Downloads / Wiring Diagrams

**1300 662 644**  
**sales@aqualux.com.au**



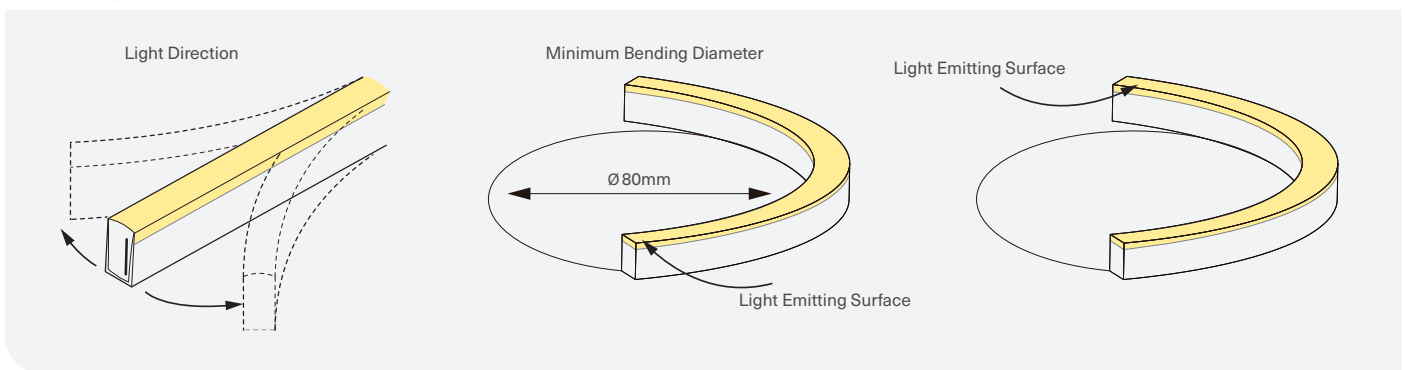
Visit [www.aqualux.com.au](http://www.aqualux.com.au) for: Full product details and available options.  
Order code configuration & customised datasheets. Voltage drop calculator & LED technical information.

# Neon Flex

## Variations

Product Code	CCT Kelvin	Voltage Direct Current	Watts Meter	Lumens Meter	Min Run Single End	Max Run Double End
AQS-500-Z6A18	RGB 2700k	24V DC	18W	TBC	10m	20m

### Bending Directions



## DMX Cable Length Limits

Without AMP = Total Length = 50m

With Single AMP = Total Length = 100m

With Twin AMP = Total Length = 200m



1300 662 644  
sales@aqualux.com.au

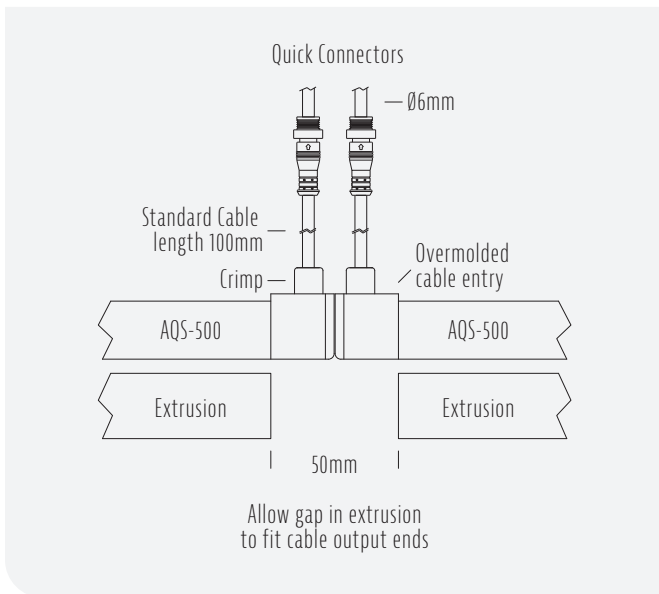
Visit [www.aqualux.com.au](http://www.aqualux.com.au) for: Full product details and available options. Order code configuration & customised datasheets. Voltage drop calculator & LED technical information.

# Neon Flex

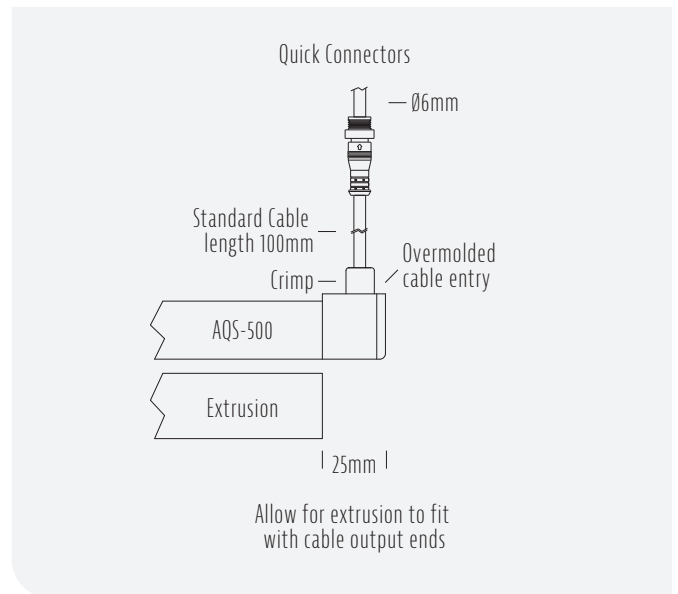
## Extrusion and End Cap allowances

### Assembly Notes

Quick Connector Output



Quick Connector Output



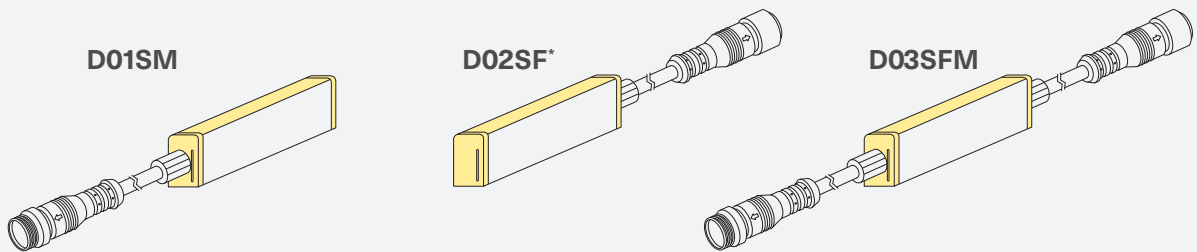
1300 662 644  
sales@aqualux.com.au

Visit [www.aqualux.com.au](http://www.aqualux.com.au) for: Full product details and available options. Order code configuration & customised datasheets. Voltage drop calculator & LED technical information.

# Quick Connect Cable Entry Options

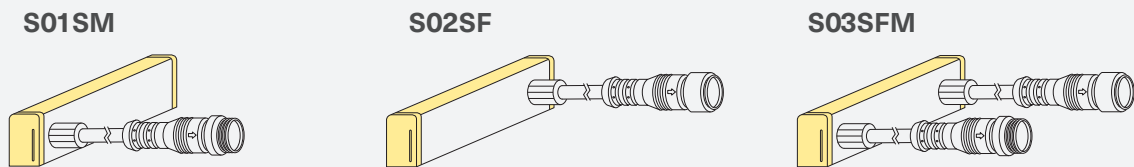
- Integrated non-removeable anti-siphon device
- IP68 factory assembly only
- Injection Moulded Connectors

## Direct Cable Entry

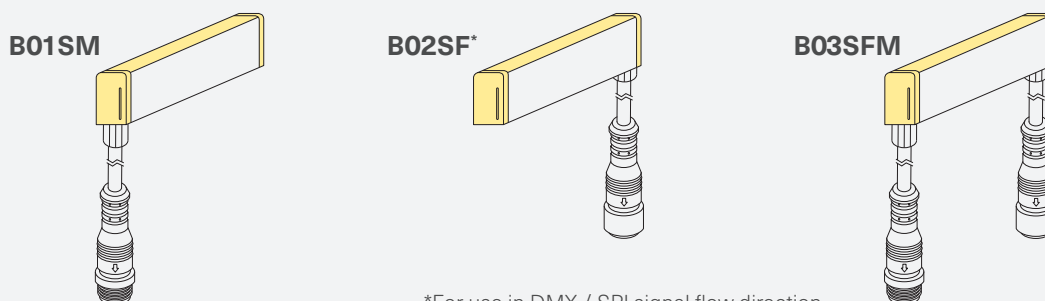


\*For use in DMX / SPI signal flow direction.

## Side Cable Entry



## Bottom Cable Entry



\*For use in DMX / SPI signal flow direction.

1300 662 644  
sales@aqualux.com.au

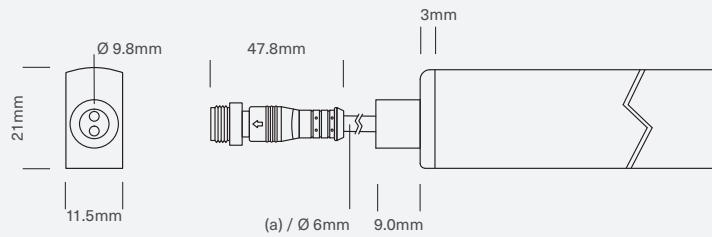


Visit [www.aqualux.com.au](http://www.aqualux.com.au) for: Full product details and available options.  
Order code configuration & customised datasheets. Voltage drop calculator & LED technical information.

# Neon Flex

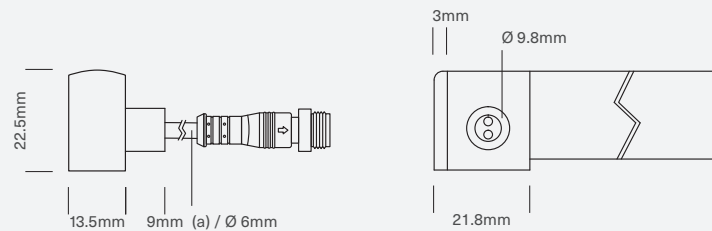
## Injection Moulded Connectors Dimensions

### Direct Cable Entry



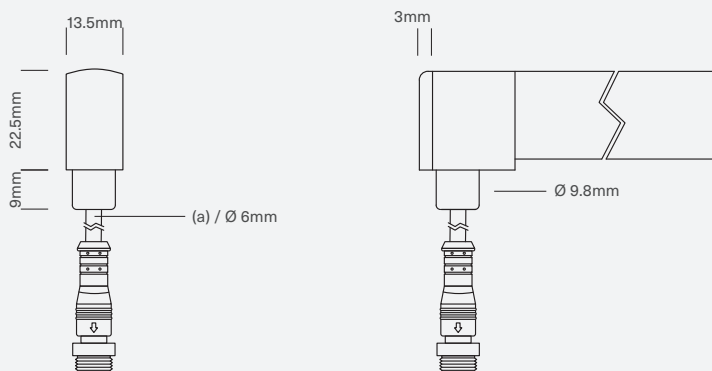
(a) = Minimum length of 6 - 8mm

### Side Cable Entry



(a) = Minimum length of 6 - 8mm

### Bottom Cable Entry



(a) = Minimum length of 6 - 8mm

1300 662 644  
sales@aqualux.com.au

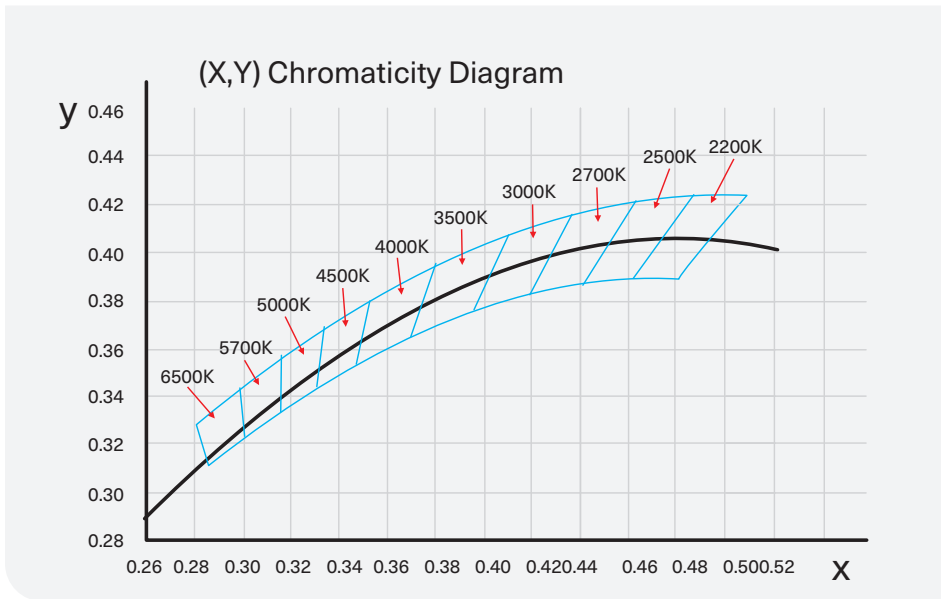


Visit [www.aqualux.com.au](http://www.aqualux.com.au) for: Full product details and available options.  
Order code configuration & customised datasheets. Voltage drop calculator & LED technical information.

# Neon Flex

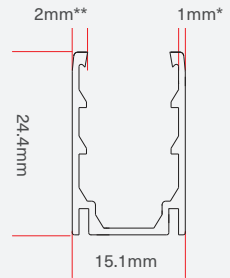
## Charts and Diagrams

White Colour Chart



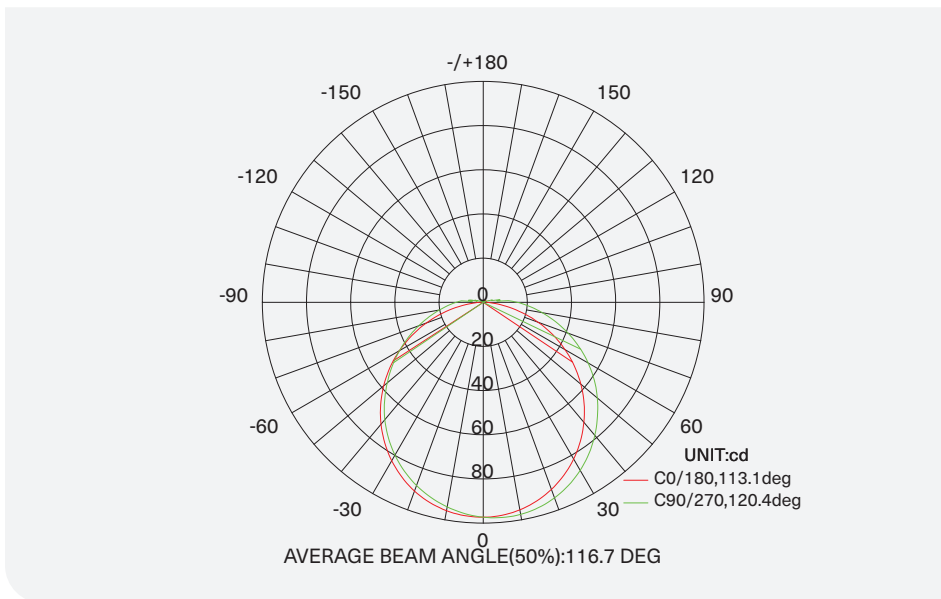
Mounting Channels

- AQS-500-ACC-01 = Clip
- AQS-500-ACC-AL-01 = 1m
- AQS-500-ACC-AL-02 = 2m

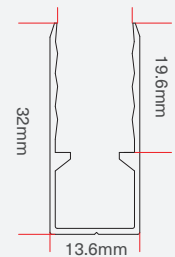


\*1mm thick wall.  
\*\*2mm thick wall including grip.

Photometric



Not stocked  
Request order



1300 662 644  
sales@aqualux.com.au



# Neon Flex

## AQS Family Reference Table

Product	Type	IP Rating	LED Options	Size mm	Power/m	Application
AQS-170	Cob Strip	IP20	Mono	10mm	10W DC	Internal / Profile required
AQS-260	Classic	IP65	Mono	10mm	12W AC / 15W DC	External / Profile required
AQS-400	Neon Flex	IP65	Mono	10 x 9	5W DC / 10W DC	External / No profile required
AQS-401	Neon Flex	IP65	Mono	10 x 10	10W DC	External / No profile required
AQS-410	Neon Flex	IP65	RGB	13 x 12	10W DC	External / No profile required
AQS-420	Neon Flex	IP65	Mono / RGBW	12 x 20	10W / 15W	External / No profile required
AQS-500	Neon Flex	IP68	Mono / RGB / RGBW / DMX	11.5 x 21	5W / 8W / 12W / 18W	External / Submerged / No profile
AQS-505	Neon Flex	IP68	Mono	13.5 x 13.5	10W	External / Submerged / No profile
AQS-510	Neon Flex	IP68	Mono / RGB / RGBW / DMX	16.5 x 16.5	10W / 13W / 17W / 18W	External / Submerged / No profile

## Extension Wire Recommendations

Maximum extension wire length according to light power

Watts	22AWG 0.34mm <sup>2</sup>	20AWG 0.53mm <sup>2</sup>	18AWG 0.82mm <sup>2</sup>	17AWG 1.04mm <sup>2</sup>	16AWG 1.38mm <sup>2</sup>	14AWG 2.07mm <sup>2</sup>	12AWG 3.29mm <sup>2</sup>	10AWG 5.62mm <sup>2</sup>
10W	36m	60m	100m	120m	140m	240m	400m	600m
20W	18m	30m	50m	60m	70m	120m	200m	300m
30W	12m	20m	30m	38m	45m	80m	130m	200m
40W	8m	15m	22m	28m	35m	60m	95m	140m
50W	6m	12m	18m	22m	28m	48m	75m	105m
60W	5m	10m	15m	18m	22m	36m	60m	88m
70W	-	8m	12m	14m	18m	30m	50m	72m
80W	-	6m	10m	11m	14m	24m	40m	58m
90W	-	4m	7m	8m	10m	18m	30m	45m
100W	-	-	5m	6m	7m	12m	22m	32m
110W	-	-	3m	4m	5m	8m	15m	22m
120W	-	-	2m	2.5m	3m	0m	8m	12m



1300 662 644  
sales@aqualux.com.au

Visit [www.aqualux.com.au](http://www.aqualux.com.au) for: Full product details and available options.  
Order code configuration & customised datasheets. Voltage drop calculator & LED technical information.