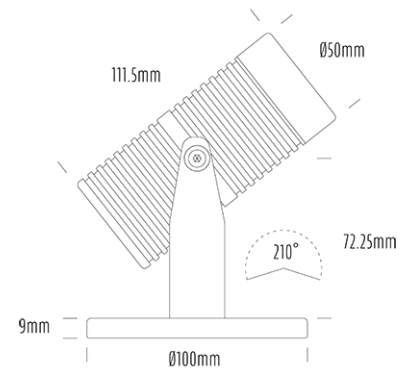


Pond Light



SPECIFICATIONS

| | |
|-----------------------|---|
| Product Code | AQL-540 |
| Family | Phoenix |
| Construction Material | Solid Cast Brass |
| Cable | 5m Aqualux 2-Core Silicone / PTFE Cable |
| IP Rating | IP68 |
| Warranty | 5 Year Aqualux Warranty |

CONFIGURED OPTIONS

| | |
|----------------|-----------------------|
| Variant Code | AQL-540-B5X0042710S |
| Body Colour | Copper |
| Control Gear | 12~24V AC / 24V DC |
| Rated Power | 4W |
| Nominal Lumens | 300 lm |
| CCT / Colour | 2700K / 300mA |
| Optical | 10 |
| CRI | 90 |
| Other | 5m Aqualux Cable |
| Dimming | Optional 10V PWM (DC) |

INTRODUCTION

Made from cast brass for the best possible durability underwater or in harsh coastal environments the AQL-540 is the ultimate pond light.



1300 662 644
sales@aqualux.com.au