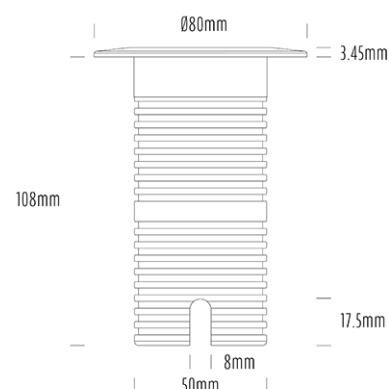


Uplight



SPECIFICATIONS

Product Code	AQL-530
Family	Phoenix
Construction Material	Solid Cast Brass
Cable	1M Aqualux PLUS QuickConnect
IP Rating	IP68
Warranty	5 Year Aqualux Warranty

CONFIGURED OPTIONS

Variant Code	AQL-530-B2Z010Z225Q
Body Colour	Black
Control Gear	24V DC RGBW
Rated Power	10W
Nominal Lumens	555 lm
CCT / Colour	RGB+3000K
Optical	25
CRI	80
Other	AqualuxPLUS QuickConnect
Dimming	4CH Low-Side PWM

INTRODUCTION

Sharing many of the same components as the AQL-540, the AQL-530 is designed to withstand the worst conditions nature can offer. Solid cast brass with 4 finish options and epoxy encapsulated internals the AQL-530 is suitable for any application that requires the best in reliability and performance.



1300 662 644
sales@aqualux.com.au