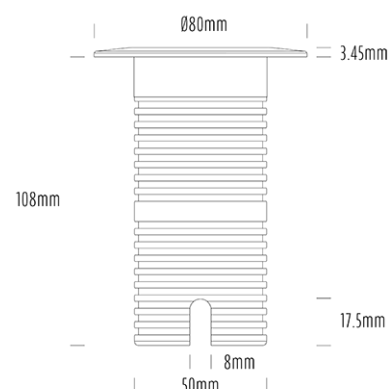


Uplight



SPECIFICATIONS

| | |
|-----------------------|------------------------------|
| Product Code | AQL-530 |
| Family | Phoenix |
| Construction Material | Solid Cast Brass |
| Cable | 1M Aqualux PLUS QuickConnect |
| IP Rating | IP68 |
| Warranty | 5 Year Aqualux Warranty |

CONFIGURED OPTIONS

| | |
|----------------|--------------------------|
| Variant Code | AQL-530-B2D00757A1Q |
| Body Colour | Black |
| Control Gear | 24VAC Triac Dimmable |
| Rated Power | 7W |
| Nominal Lumens | 600 lm |
| CCT / Colour | 5700K / 550mA |
| Optical | A1 |
| CRI | 80 |
| Other | AqualuxPLUS QuickConnect |
| Dimming | Yes, TRIAC Primary Side |

INTRODUCTION

Sharing many of the same components as the AQL-540, the AQL-530 is designed to withstand the worst conditions nature can offer. Solid cast brass with 4 finish options and epoxy encapsulated internals the AQL-530 is suitable for any application that requires the best in reliability and performance.



1300 662 644
sales@aqualux.com.au