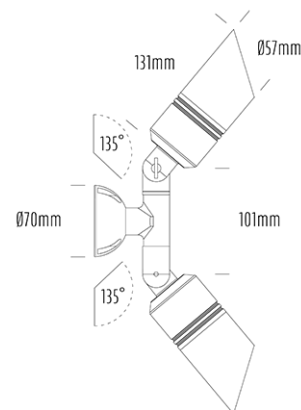


Twin Adjustable Surface Light



SPECIFICATIONS

Product Code	AQL-402
Family	Hydra
Construction Material	Solid Cast Brass
Cable	1m Figure 8 Twin Core
IP Rating	IP65
Warranty	3 Year Aqualux Warranty

CONFIGURED OPTIONS

Variant Code	AQL-402-B2M
Body Colour	Black
Control Gear	MR16
Dimming	Lamp Dependant

INTRODUCTION

Surface Mount Twin Spot light



1300 662 644
sales@aqualux.com.au