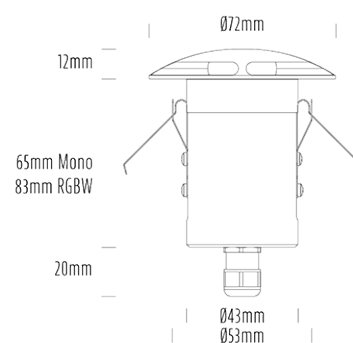


Runway Light



SPECIFICATIONS

| | |
|-----------------------|---|
| Product Code | AQL-165 |
| Family | Lumena |
| Construction Material | CNC Machined & Anodised Aluminium 6061 |
| Cable | 900mm Aqualux 2-Core Silicone / PTFE Cable |
| IP Rating | IP67 |
| Warranty | 5 Year Aqualux Warranty |
| Additional | RGBW option to be driven at 50% max total. Not rated for high-pressure cleaning. |

CONFIGURED OPTIONS

| | |
|----------------|------------------------------|
| Variant Code | AQL-165-A3X00257DCQ |
| Body Colour | Dulux Medium Bronze 9068183K |
| Control Gear | 12-24V AC / 24V DC |
| Rated Power | 2W |
| Nominal Lumens | 200 lm |
| CCT / Colour | 5700K / 300mA |
| Optical | DC |
| CRI | 80 |
| Other | AqualuxPLUS QuickConnect |
| Dimming | Optional 10V PWM (DC) |

INTRODUCTION

The AQL-165 is a compact, stylish recessed runway light with 180° spread.



1300 662 644
sales@aqualux.com.au