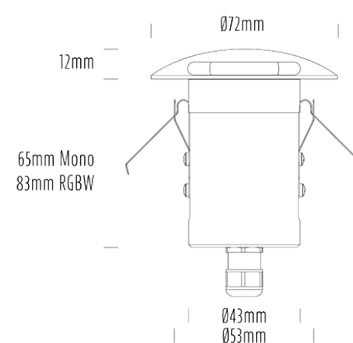


2-Way Runway Light



SPECIFICATIONS

Product Code	AQL-164
Family	Lumena
Construction Material	CNC Machined & Anodised Aluminium 6061
Cable	900mm Aqualux 2-Core Silicone / PTFE Cable
IP Rating	IP67
Warranty	5 Year Aqualux Warranty

CONFIGURED OPTIONS

Variant Code	AQL-164-A4X002AMDCQ
Body Colour	Dulux Venerable Silver 9067621K
Control Gear	12~24V AC / 24V DC
Rated Power	2W
Nominal Lumens	140 lm
CCT / Colour	Amber / 300mA
Optical	DC
CRI	NA
Other	AqualuxPLUS QuickConnect
Dimming	Optional 10V PWM (DC)

INTRODUCTION

The AQL-164 is a compact, stylish recessed runway light with two opposing 90° spread beams.



1300 662 644
sales@aqualux.com.au