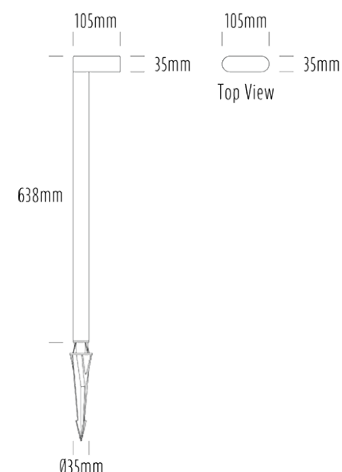


Fixed pathlight



SPECIFICATIONS

Product Code	AQL-120
Family	Lumena
Construction Material	CNC Machined Aluminium
IP Rating	IP65
Warranty	5 Year Aqualux Warranty

CONFIGURED OPTIONS

Variant Code	AQL-120-A2Z010Z2DFQ
Body Colour	Dulux Black Ace 9069116F
Control Gear	24V DC RGBW
Rated Power	10W
Nominal Lumens	555 lm
CCT / Colour	RGB+3000K
Optical	DF
CRI	80
Other	AqualuxPLUS QuickConnect
Dimming	4CH Low-Side PWM

INTRODUCTION

The AQL-120 is a minimalist offset path light, with an integrated LED and diffuse glass cover for spreading light evenly and smoothly across a pathway. Available October 2020.



1300 662 644
sales@aqualux.com.au